

**भारतीय उष्णदेशीय मौसम विज्ञान संस्थान**  
**INDIAN INSTITUTE OF TROPICAL METEOROLOGY**  
(पृथ्वी विज्ञान मंत्रालय , भारत सरकार का एक स्वयत्त निकाय)  
(An autonomous Institute under the Ministry of Earth Sciences, Govt. of India)  
पाषाण , पुणे- 411008  
PASHAN, PUNE - 411008

**निविदा सूचना / TENDER NOTICE**

निदेशक, भारतीय मौसम विज्ञान संस्थान, डॉ. होमी भाभा रोड, पाषाण, पुणे - 411008 (भारत) ऐसे ठेकेदारों, जो कि पीडब्ल्यूडी/ एमईएस/ सीपीडब्ल्यूडी/ रेलवे/ पीएंडटी/ अनुभवी औद्योगिक ठेकेदारों और किसी अन्य सरकारी विभाग के ठेकेदारों की अनुमोदित सूची में पंजीकृत हैं, से उपयुक्त वर्ग में निम्नलिखित कार्य के लिए निविदाएँ (तकनीकी-वाणिज्यिक बोली) आमंत्रित करते हैं।

Director, Indian Institute of Tropical Meteorology, Dr. Homi Bhabha Road, Pashan, Pune - 411008 (India) invites tenders (Techno-commercial Bid) from Contractors registered in the approved list of contractors of PWD/MES/CPWD/Railways/P&T/Experienced Industrial Contractors and any other government departments in appropriate class for following work

क्रम सं. Sr. No.	निविदा सूचना सं. Tender Notice No.	विवरण / Description
01.	IITM/CE/Pavement Works /2022/LT/02	वायुमंडलीय बिजली वेधशाला, कायटून हट, पाषाण, पुणे-411008 में वायुमंडलीय बिजली के मापन के लिए फुटपाथ और चेंबर का निर्माण कार्य। Construction of pavement and Chambers for Carrying out measurement of atmospheric electricity at Atmospheric Electricity Observatory, Kaytoon Hut, Pashan, Pune-411008

निविदा जारी करने की तिथि: 23 मार्च 2022 को 11:00 बजे।  
Date of issue of Tender: 23<sup>rd</sup> March 2022 at 11:00 hrs.

निविदा प्रस्तुत करने की अंतिम तिथि : 12<sup>th</sup> अप्रैल 2022 को 12:30 बजे।  
Last date of submission of Tender: 12<sup>th</sup> April 2022 at 12:30 hrs.

निविदाएं खोलने का समय (केवल तकनीकी-वाणिज्यिक बोली): 12<sup>th</sup> अप्रैल 2022 को 15:00 बजे।  
Opening of Tenders (Techno-commercial bids only): 12<sup>th</sup> April 2022 at 15:00 hrs.

संस्थान बिना कोई कारण बताए किसी या सभी निविदाओं को अस्वीकार करने का अधिकार सुरक्षित रखता है। बोली की विस्तृत सूचना एवं प्रस्तुतीकरण के लिए कृपया वेबसाइट <http://www.tropmet.res.in> पर देखें। भावी बोलीदाताओं की जानकारी के लिए, निविदा विवरण इस संस्थान की वेबसाइट : <http://www.tropmet.res.in> पर भी उपलब्ध है।

The Institute reserves the right to reject any or all tenders without assigning any reason thereof. The tender details are available on this Institute's Website: <http://www.tropmet.res.in>.

Sd-

SC-E, Head Civil, for Director  
Email: [civil@tropmet.res.in](mailto:civil@tropmet.res.in)

भारतीय उष्णदेशीय मौसम विज्ञान संस्थान, डॉ. होमी भाभा मार्ग, पाषाण, पुणे- 411008, भारत  
Indian Institute of Tropical Meteorology Dr. Homi Bhabha Road, Pashan, Pune - 411008, INDIA

**Tender No.:** IITM/CE/Pavement Works /2022/LT/02

**Name of work:** Construction of pavement and Chambers for Carrying out measurement of atmospheric electricity at Atmospheric Electricity Observatory, Kaytoon Hut, Pashan, Pune-411008.

**(Techno-Commercial Bid)**

Issue to M/s.

-----

-----

**भारतीय उष्णदेशीय मौसम विज्ञान संस्थान, डॉ. होमी भाभा मार्ग, पाषाण, पुणे- 411008, भारत**  
**Indian Institute of Tropical Meteorology Dr. Homi Bhabha Road, Pashan, Pune - 411008, INDIA**

Tender No. : IITM/CE/Pavement Works /2022/LT/02  
ENQUIRY NO: IITM/CE/Pavement Works /2022/LT/02

Director, Indian Institute of Tropical Meteorology, Dr. Homi Bhabha Road, Pashan, Pune-411008 (India) invites sealed tenders from the experienced Contractors registered with PWD, CPWD, MES and industrial contractor for carrying out the following work at Indian Institute of Tropical Meteorology, Pune-8:

Sr. No.	Name of Work	Estimated Cost	Completion Period
1.	Construction of pavement and Chambers for Carrying out measurement of atmospheric electricity at Atmospheric Electricity Observatory, Kaytoon Hut, Pashan, Pune-411008.	Rs. 2.30 Lakh	45 days (from the date of handing over site to contractor to commence the work)

Date of Issue of Tender documents	23/03/2022
Last date of receipt of Tender	12/04/2022 (12:30 Hrs)
Opening of Tenders	12/04/2022 (15:00 Hrs)

**Bid Security/Earnest Money Deposit (E.M.D) :** Rs. 4,600/- (Rs. Four Thousand Six Hundred only) in the form of Demand Draft/ Bank guarantee from any Nationalized/Scheduled bank drawn in favor of Director, IITM, Pashan, Pune. EMD of unsuccessful bidders will be released on award of the work to successful contractor.

Following documents are to be submitted along with techno-commercial bid:

- 1) The Tenderer is required to furnish self-attested copy of valid Permanent Account Number (PAN) and GST registration.
- 2) Bank details: RTGS Details

**Other terms and Condition:**

- 1) This tender is not transferable.
- 2) Tenders received through Fax / E-mail / Telegraphic / Telex will not be considered.
- 3) The tenders must be clearly written or typed without any cancellations / corrections or overwriting.
- 4) Unsigned Tenders will also be rejected.

- 5) Part and incomplete tenders are liable to be rejected.
- 6) Tenders addressed to **Director, Indian Institute of Tropical Meteorology, Dr. Homi Bhabha Road, Pashan, Pune- 411008** are to be submitted super scribed with Tender No. IITM/CE/Storage Cabins/2022/LT/01 for Construction of storage Cabins with Aluminum Partitions & doors in old canteen building at IITM Office Campus, Pashan, PUNE-411008.
- 7) IITM will not be responsible:
- a) For delayed / late quotations submitted / sent by Post / Courier etc.
  - b) For submission / delivery of quotations at wrong places other than the Office of Director, IITM, Pune-8,
- 8) Contractor may inspect the site before quoting their rates.
- 9) The rate shall be quoted as per BOQ format i.e. Basic rate and 18% GST (CGST@9% & SGST@9%) applicable for works contract).
- 10) Bid validity: 60 days
- 11) Bid Security/Earnest Money Deposit (E.M.D) is mandatory for all bidders except Micro and Small Enterprises (MSEs) as defined in MSE Procurement Policy issued by Department of Micro, Small and Medium Enterprises (MSME) or are registered with the Central Purchase Organisation or the concerned Ministry or Department.
- 12) Bid Security/Earnest Money Deposit (E.M.D) may be forfeited:
- (i) If the Bidder withdraws the Bid after Bid opening during the period of Bid validity.
  - (ii) In case of successful Bidder, if the Bidder fails to deposit performance security.
- 13) Performance Security would be 5% of Work Order Value applicable to successful bidder. [Note: Bid Security/Earnest Money Deposit (E.M.D) Amount will be adjusted towards Performance Security]
- 14) **Delivery/work completion Period:** 45 days (from the date of handing over site to contractor to commence the work). As time is the essence of the contract should be strictly adhered to.
- 15) **PAYMENT Terms:**
- a) No advance will be paid.
  - b) 95% payment will be made on completion of work & handing over of clear site to the Institute and Balance 5% will be released on completion of 12 months defect liability period from handing over the clear site to the Institute.
  - c) No any price escalation will be granted.

16) The prices quoted should be firm and irrevocable and not subject to any change whatsoever, even due to increase in cost of raw material components and fluctuation in the foreign exchange rates and excise duty.

17) IITM will not provide any accommodation/transportation for the Engineers/Representatives.

18) **DEFECT LIABILITY PERIOD:** Defect liability period of the work will be 12 months from the date of actual completion of work and handing over the clear site to IITM Pune.

19) No sub-contracting will be allowed for installation or maintaining system/equipment/Instrument during or after warranty period.

20) Discount if any offered should be mentioned clearly in the commercial bid only.

21) **PENALTY CLAUSE:**

If the work is not completed by scheduled time or if you leave work in half complete stage, the liquidated damages will be charged or deducted 1.0% per week of the work order cost and the maximum to 10% value of work order.

22) **EXTRA ITEM:**

The rate for Extra Item shall be worked out in accordance with the following rules:

a) The rates for the extra items shall be derived from the rate of an appropriate item of similar class for which the rate already has been accepted, where same can be directly derived.

b) The contractor shall bound to carry out any extra items of work as per site requirement with prior approval of the Institute's authority. The rate for extra items shall be derived from the rate already quoted. Where the items are not specified in the BOQ the rate shall be worked out at cost of material + labor cost+ taxes +10% over heads, wastage, transportation & profit.

23) **DEVIATION:** Additional work/any deviation beyond work order quantities requires prior approval of the IITM authorities before execution of such work. The permissible overall deviation from the work order value is 10% and such deviation should not be executed at site without prior approval of Institute's authority.

24) **CORRUPT OR FRAUDULENT PRACTICES.**

A) IITM requires that the bidders/contractors under this tender observe the highest standards of ethics during the procurement and execution of such contracts. In pursuance of this policy, IITM:

i) Defines for the purposes of this provision, the terms set forth as follows:

a) "Corrupt practice" means the offering, giving, receiving or soliciting of anything of value to influence the action of the public official in the procurement process or in contract execution; and

b) “Fraudulent practice” means a misrepresentation of facts in order to influence a procurement process or a execution of a contract to the detriment of IITM, and includes collusive practice among bidders (prior to or after bid submission) designed to establish bid prices at artificial non-competitive levels and to deprive IITM of the benefits of the free and open competition;

ii) Will reject a proposal for award if it determines that the Bidder recommended for award has engaged in corrupt or fraudulent practices in competing for the contract in question;

B) IITM will declare a firm ineligible, either indefinitely or for a stated period of time, to be awarded a contract if it at any time determines that the firm has engaged in corrupt and fraudulent practices in competing for, or in executing, a contract.

25) Conditional Offers will not be considered.

26) All disputes are subject to exclusive jurisdiction of Competent Court and Forum in Pune, India only.

27) The Director, Indian Institute of Tropical Meteorology, Pune 411 008, India reserves the right to accept any tender in full or in part or to reject the lowest or any or all tenders without assigning any reason.

28) The Director, Indian Institute of Tropical Meteorology, Pune will be the final authority to decide the appropriate action and it will be binding on the Vendor.

For Director

Email: [civil@tropmet.res.in](mailto:civil@tropmet.res.in)

# COMERCIAL- BID

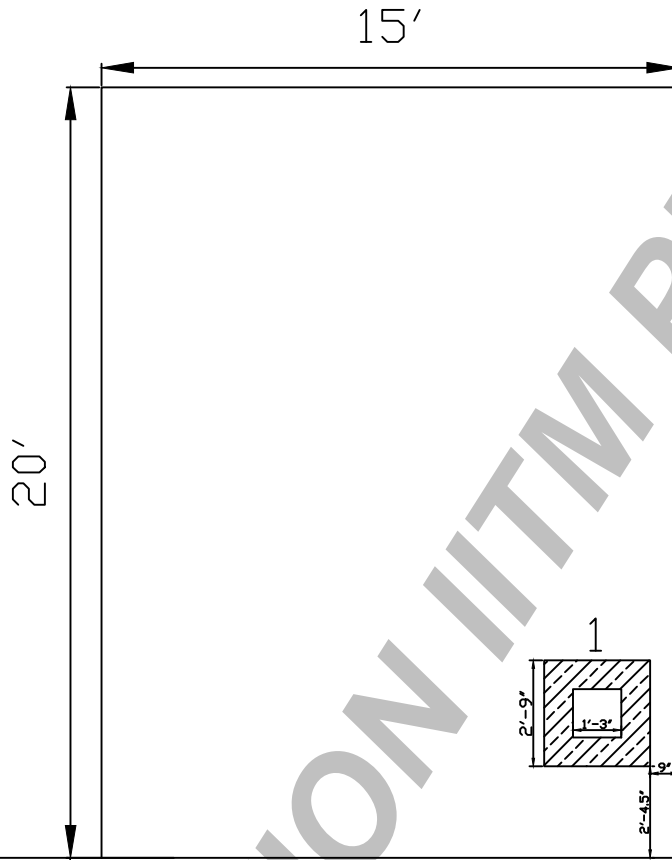
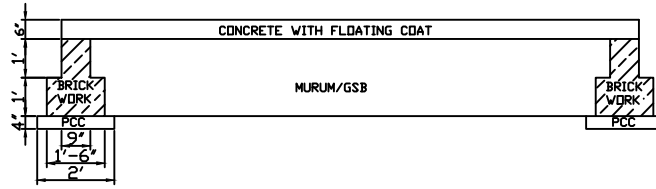
- NOTE:
- 1) Contractor shall inspect the site before quoting their rates.
  - 2) The rate shall be quoted as per BOQ format.

**Tender B.O.Q for Construction of pavement and Chambers for Carrying out measurement of atmospheric electricity at Atmospheric Electricity Observatory, Kaytoon Hut, Pashan, Pune-411008.**

Sr. No.	Description	Qty.	Unit	Basic Rate	GST@18 %		Total Rate (Basic Rate + GST)	Total Amount in Rs.
					CGST @9%	SGST @9%		
1	Earth work in excavation by mechanical means (Hydraulic excavator) / manual means over areas (exceeding 30cm in depth. 1.5 m in width as well as 10 sqm. on plan) including disposal of excavated earth out of office premises surplus soil after back filling and lift up to 1.5m, disposed earth to be levelled and neatly dressed. All kinds of soil	30	cum					
2	Providing and laying in position cement concrete of specified grade excluding the cost of centering and shuttering - All work up to plinth level : 1:3:6 (1 Cement : 3 coarse sand (zone-III) derived from natural sources : 6 graded stone aggregate 20 mm nominal size derived from natural sources)	2	cum					
3	Providing and laying in position ready mixed or site batched design mix cement concrete for reinforced cement concrete work; using coarse aggregate and fine aggregate derived from natural sources, Portland Pozzolana / Ordinary Portland /Portland Slag cement, admixtures in recommended proportions as per IS: 9103 to accelerate / retard setting of concrete, to improve durability and workability without impairing strength; including pumping of concrete to site of laying, and finished with a floating coat of neat cement, including cement slurry, curing, carriage for all leads and The construction joints shall be provided by groove cutting of size 4mm x 20mm in panel size 3m x 3 m or lesser as per the site conditions and filling the same with 10 mm baker rod and providing and laying (PU) Polyurethane based joint sealer of approved make as per manufacturer's specifications and finished by applying Polyurethane resin based top protective clear coat of minimum 80 micron applied with rollers on properly cured and dry clean surface; but excluding the cost of centering, shuttering, finishing and reinforcement as per direction of the engineer-in-charge; for the following grades of concrete. Note: Extra cement up	8	cum					

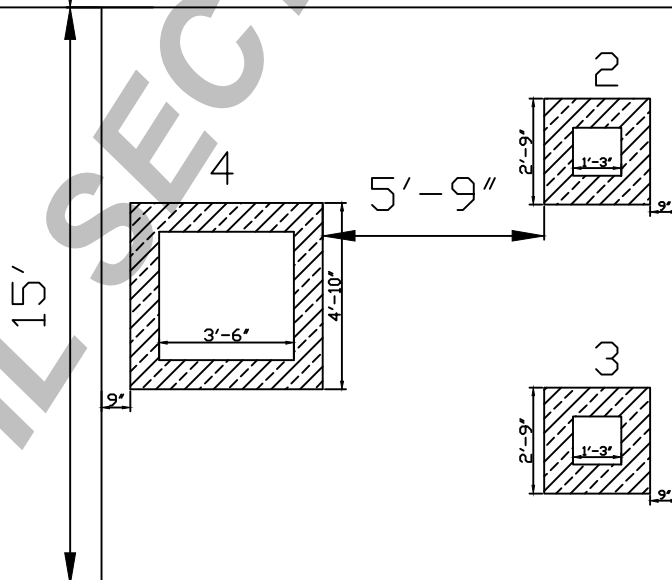


	to 10% of the minimum specified cement content in design mix shall be payable separately. In case the cement content in design mix is more than 110% of the specified minimum cement content, the contractor shall have discretion to either re-design the mix or bear the cost of extra cement. All works upto plinth level Concrete of M25 grade with minimum cement content of 330 kg /cum							
4	Steel reinforcement for R.C.C. work including straightening, cutting, bending, placing in position and binding all complete up to plinth level .Hot rolled deformed bars	220	Kg					
5	Centering and shuttering including strutting, propping etc. and removal of form for Foundations, edges of slabs, footings, bases of columns, etc. for mass concrete	7	Sqm					
6	Construction of granular sub-base by providing close graded Material Confirming to specifications, mixing in a mechanical mix plant at OMC, carriage of mixed material by tippers to work site, for all leads & lifts, spreading in uniform layers of specified thickness with motor grader on prepared surface and compacting with vibratory power roller to achieve the desired density, complete as per specifications and directions of Engineer-in-Charge. With material conforming to Grade-II (size range 53 mm to 0.075 mm ) having CBR Value-25	25	cum					
7	Brick work with common burnt clay F.P.S. (non-modular) bricks of class designation 7.5 in foundation and plinth in: Cement mortar 1:4 (1 cement : 4 coarse sand)	7.5	cum					
8	18 mm cement plaster in two coats under layer 12 mm thick cement plaster 1:5 (1 cement: 5 coarse sand) and a top layer 6 mm thick cement plaster 1:3 (1 cement : 3 coarse sand) finished rough with sponge.	2.5	sqm					
			<b>Total=</b>					



DIMENSIONS				
CHAMBER No.	SHAPE	LENGTH	BREDTH	DEPTH
1,2&3		1'3"	1'3"	1'1"
4		3'6"	3'6"	0'8"
WALL THICKNESS			0'9"	
PITCH			0'9"	

3' EXISTING ROAD



PROJECT

## FOUNDATION WORK AT KYTOON HUT, IITM PASHAN PUNE

REQUESTED BY

**GOPALKRISHNAN SIR**

PREPARED BY

**CIVIL SECTION IITM PUNE**